



**MITSUBISHI  
FORKLIFT TRUCKS**



# ***FD/FG40N-55N***

***S E R I E S***

Internal Combustion Pneumatic Tyre

4.0–5.5 ton

# THE ULTIMATE PERFORMER

## *Mitsubishi* *FD/FG40N-55N* *Series Forklift Trucks*



FG40N

Gasoline engine  
Capacity rating 4000kg @ 500mm load center

Mitsubishi Forklift Trucks' new FD/FG40N-55N series is a whole new breed of forklift truck that's been built from the ground up to meet the demands of users who require heavy duty, robust and reliable machines.

The latest in a series of forklift trucks, the new N-Generation has won accolades from its users for its capacity to work even in the most demanding situations while being friendly to the environment. What's more, these forklift trucks represents the latest in Mitsubishi's transport technology, enhanced safety and commitment to keeping the world green.

The FD/FG40N-55N forklift trucks —  
**Performance without compromise.**

# *FOR HEAVY DUTY APPLICATIONS*

FD55N

Diesel engine

Capacity rating 5500kg @ 600mm load center



**MITSUBISHI**

# MADE FOR THE MOST DEMANDING APPLICATIONS.

## ECO-POWER



### POWER DOESN'T MEAN DIRTY.

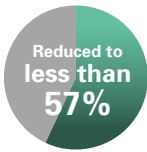
Under the hood of the N-Generation forklift truck is a simple, yet remarkable engine. Mitsubishi Forklift Trucks has developed and refined this robust and reliable power plant while achieving some of the lowest engine emissions in the world. And they've done all this without compromising engine life span, power or ease of maintenance.

#### HIGHLY RELIABLE DIESEL ENGINE THAT PASSED 2008 EMISSION GAS STANDARD\*

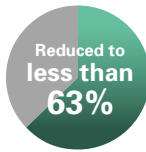
The Mitsubishi S6S high performance engine, NOx, PM, HC emission can be controlled to comply with new environmental standards without adding common rail technology and other options. While low on emissions, S6S engines are designed to be trouble free with only simple maintenance. The result: a powerful, clean operating engine with a long life span.

\* 2008 Japan Emissions Standard for Specific Special Vehicles (including off-road vehicles).

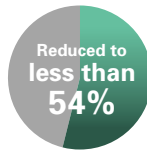
**NOx (Nitrogen Oxide) emission**



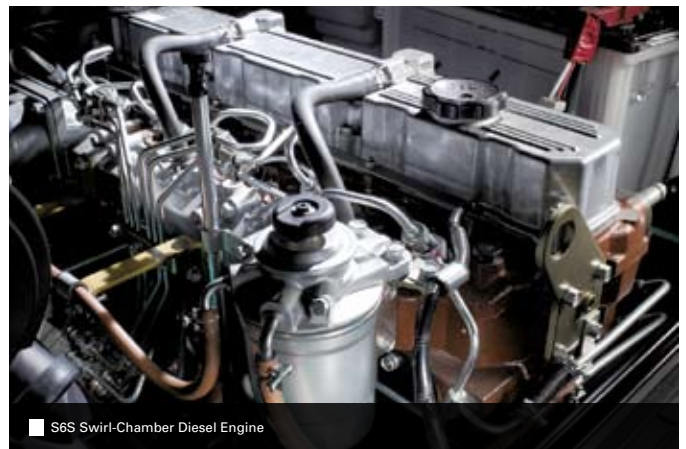
**PM (Particle Material) emission**



**HC (Hydro Carbon) emission**



\* Compared with 2003 Japan Emissions Standard.



■ S6S Swirl-Chamber Diesel Engine

#### 2007 EMISSION GAS STANDARD COMPLIANT\* GASOLINE ENGINE WITH THREE-WAY CATALYTIC MUFFLER

The N-Generation series also has an Advanced Electronic Control system that allows optimum management of its engine, which means lower fuel consumption.

To remove environmentally toxic combustion gases a three-way catalytic muffler (standard) has been installed to create higher power yet with lower emissions.



■ Three-way catalytic muffler

\* 2007 Japan Emissions Standard for Specific Special Vehicles (including off-road vehicles).



■ TB45 Electronic Controlled Gasoline Engine

#### ONE-TOUCH SWITCH TO ECOLOGY MODE\*

"Power / Soft Mode Switch" enables the N-Generation forklift trucks to change between power or ecology priority depending on conditions. Selecting the ecology mode means that CO<sub>2</sub> emissions are decreased by about 13 percent, a significant reduction of this environmentally toxic greenhouse gas.

\* This is an option on diesel engine truck.

#### POWER / SOFT Mode switch



Ecology Mode:  
CO<sub>2</sub> emission  
reduced by  
about 13%

# RELIABLE PERFORMANCE

## STURDY MAST WITH BETTER VISIBILITY ALL AROUND

Mitsubishi Forklift Trucks' newly designed hardened steel mast rail is extremely strong and resists twisting and bending under loads that would cripple some forklifts. The mast also incorporates trouble free ball-type bushings. These bearings give the mast a longer life span and a longer service interval. Besides the optimum positioning of the mast itself, the main mast's cylinder and chain have been placed out of the way for even better driver vision. Better vision means better safety.



## SOLID FRAME & LOW CENTER OF GRAVITY DESIGN

The latest stress analysis techniques, together with proven Mitsubishi Forklift Trucks manufacturing technologies, have created a long-lasting frame and body with a low centre of gravity. This translates into better performance and enhanced stability when doing heavy work or carrying heavy loads.



## STEEL NOT PLASTIC

All N-Generation forklift trucks incorporate a wide, open step made from steel, not fibreglass, into its cab design. A steel step increases durability, prevents slipping and won't crack under pressure like plastics can.



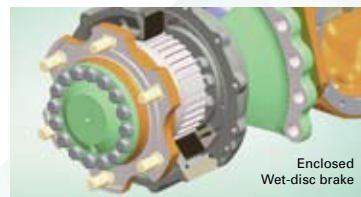
## TOUGH BASE AREA TO SUPPORT HEAVY LOADS

Double pin sealing and a one-piece cast housing creates a stronger, tougher forklift truck base. A tougher base provides added protection and support when carrying heavy and demanding loads.



## A SMOOTH & COMFORTABLE RIDE

The newly developed Flexcontrol system (optional) can automatically slow down truck speed to enable smooth and jerk-free directional changing. And when combined with the wet-disc brakes (optional), the N-Generation forklift trucks have unrivalled handling and stopping control.



## EXCELLENT BODY BALANCE AND REAR VIEW

Designed not only to look good, N-Generation series forklift truck's new sharp form V-shaped counterweight provides exceptional stability and balance while allowing for an easier rear view, as well. The more a driver can see means better workplace safety and fewer accidents.



## EFFECTIVE COOLING SYSTEM

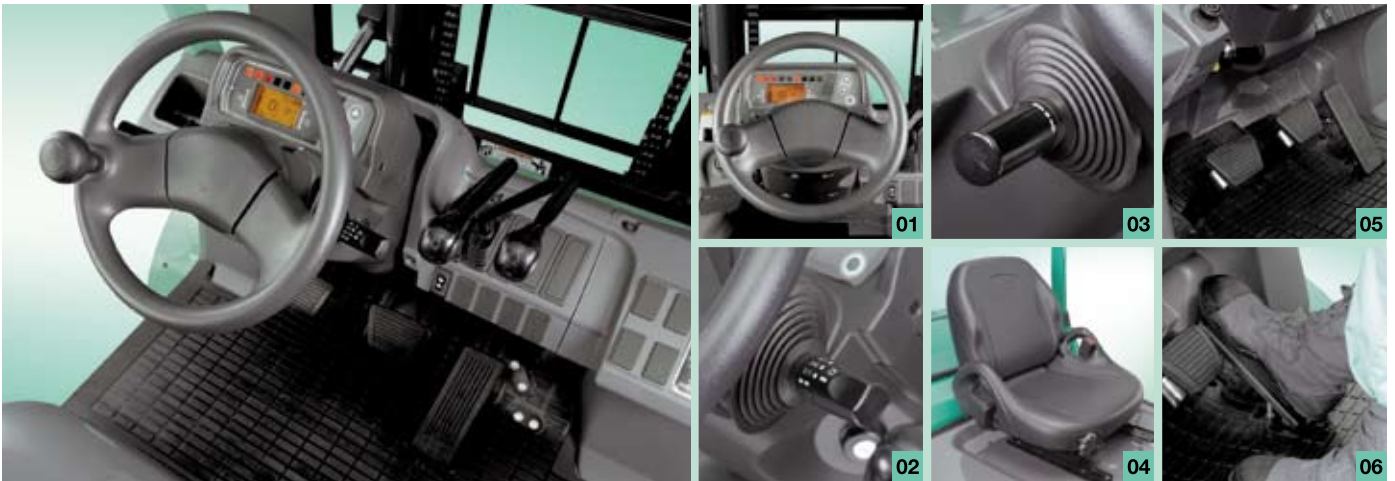
All N-Generation forklift trucks are fitted with a large, heavy-duty radiator core. The radiator's low noise cooling fan along with optimum placement of the muffler make for a highly effective cooling system. Effective cooling translates into longer engine life and less downtime due to overheating.

# MITSUBISHI FORKLIFT TRUCKS OFFER THE BEST OF BOTH WORLDS : COMFORT AND SAFETY.

## EASY OPERATION. DRIVER COMFORT.

FD/FG40N-55N SERIES COCKPITS ARE DESIGNED WITH OPERATOR SAFETY IN MIND AND INCORPORATE THE MANEUVERABILITY, COMFORT AND SAFETY THAT PROFESSIONALS HAVE COME TO EXPECT FROM MITSUBISHI FORKLIFT TRUCKS.

To improve operator comfort while reducing strain and fatigue, the forklift truck is fully equipped with advanced features that make operating a N-Generations series forklift truck less tiring and more productive than ever before.



### PRODUCTIVITY AND COMFORT FEATURES

- 01 100% Full Hydraulic Power Steering**  
Equipped with cornering and steering knob to help prevent accidental steering slippage.
- 02 Combination Switch**  
Turn signal and headlight switches are combined as in passenger car.
- 03 Electric Shift Lever**  
Forward / neutral / reverse shift operation is easy with the touch of a finger.
- 04 Suspension Seat with Hip Support Function**  
Sliding and reclining mechanism to reduce back strain.
- 05 Foot Operated Inching Pedal**  
Wide foot space and better foot pedal position for precise control.
- 06 New Transmission**  
Forward 2-speed / Reverse 1-speed automatic transmission.

### OPTIONAL PRO-LIFT SPECIFICATION VEHICLE TO REDUCE RIDING FATIGUE

The new N-Generation series of forklift trucks can also be equipped with lifting and tilting adjustment by a finger-tip controller, allowing a driver's arm to remain on the armrest — a great way to reduce fatigue and repetitive strain injuries.



### POWER LINE FULL-FLOATING DESIGN

The entire power train, from engine to transmission is secured to the frame by rubber mounts. These specially designed mounts absorb vibration, and make for quieter, smoother forklift truck operation.

# ACTIVE SAFETY

**"SAFE" ONCE YOU LEAVE THE SEAT.**

To avoid the risk of accidents, Mitsubishi Forklift Trucks' unique vehicle Integrated Presence System "IPS2" has been incorporated into all FD/FG40N-55N series models. This system helps to ensure safety and prevent accidents to operators, colleagues and customers alike at the workplace.



## INTEGRATED MONITOR

Digital display allows excellent vision, from travel speed, gross load and other operating conditions. The monitor easily shows engine and forklift truck operations at a glance.



## SAFETY SYSTEMS TO AVOID OPERATION ERROR

The fork on the forklift truck is automatically locked when the ignition is switched off, so it remains in position even if the lift lever is accidentally bumped or moved. A Neutral Safety lock is also installed to prevent the machine from sudden travel if the engine is accidentally started while in gear.



## PARKING BRAKE AT THE SEAT-CONNECTED INTERLOCK

Another safety improvement to the N-Generation series of forklift trucks is the integral interlock system. Once an operator leaves the seat, not only the mast and travel functions are locked, but the electrically-controlled parking brake is engaged\* as well.

*\* Parking brake will only engage when forklift truck is on horizontal ground, and its travel speed is less than 1km/hr*



## HIGH-MOUNTED REAR COMBINATION LAMP

This rear combination lamp that provides clear brake, reverse and turn signals to vehicles or persons behind the forklift truck.



## SOFT LANDING

This unique feature automatically slows down the forks when approaching the ground, protecting valuable goods from hard drops or shocks.

*\* only for two-stage simplex masts.*



## EASY TO MAINTAIN.

# MAINTENANCE

**MITSUBISHI FORKLIFT TRUCKS ASSURES OWNERS OF EASY MAINTENANCE AND A LOW RUNNING COST.**

Longer service intervals mean that a vehicle can be used more often, saving valuable time and money. Operators and owners will find the N-Generation series of forklift trucks easy to maintain and manage.



### WELL-PLACED MAINTENANCE POINTS

The N-Generation series forklift trucks have an engine cover that opens fully along with easy-to-remove side panels. The maintenance points are easy to access and they are strategically placed to allow quick inspection or maintenance.

### IMPROVED BRAKE DESIGN

A newly designed, easy-maintenance braking system that does not require hub and drum removal is installed as standard equipment. The work, time and cost required for service are substantially reduced when compared to previous models.

### EASY MAINTENANCE AROUND RADIATOR

An easy to open half-split cover makes radiator inspection and maintenance a snap.



### SIGNIFICANT EXTENSION IN SERVICE INTERVAL

Service intervals for the changing of engine oil has been more than doubled from 200 hours to 500 hours. Further, wet-disc brakes\* allow maintenance-free intervals for 10,000 hours. Extended service intervals mean lower running cost.

■ Oil change cycle (with Mitsubishi Forklift Trucks recommended engine oil).

Conventional vehicle

200 hours

FD/FG40N-55N series

500 hours

\* Depending on usage condition, brake oil change is required for the optional wet-disc brakes.



# ATTACHMENTS & OPTIONS

**MITSUBISHI FORKLIFT TRUCKS ARE HIGHLY CUSTOMIZABLE TO SUIT JUST ABOUT ANY APPLICATION AND WORKPLACE ENVIRONMENT.**

The FD/FG40N-55N series forklift trucks' unsurpassed performance is ideal for many industries where quality, dependability and heavy duty tasking is involved. Mitsubishi Forklift Trucks offers a line-up of attachments and options to suit just about any need.

## ■ FORKLIFT TRUCK FOR THE PAPER INDUSTRY

Capable of handling paper rolls effectively. Capable of handling small-diameter paper roll with a movable short arm. Improved contact pads provides better grips on rolls. Capable of handling two rolls of paper with different diameters (Special Request Option).

- Attachment installed: Roll Clamp
- Mast installed : Heavy Duty Mast
- Recommended option : Wet-disc Brake / Hydraulic Oil Cooler



## ■ FORKLIFT TRUCK FOR THE RECYCLED PAPER INDUSTRY

Excellent insert clamp-arm to grip paper bales safely and securely.  
Wide view between clamp cylinders.

- Attachment installed : Bale Clamp
- Recommended option : Hydraulic Oil Cooler / Semi-under Net Kit

## ■ FORKLIFT TRUCK FOR THE TIMBER INDUSTRY

This forklift truck has a hinged fork and back rest to scoop and carry logs and sawn timber.

- Standard : Panoramic Hinged Fork (fixed type back rest)
- Recommended option : Air Intake Pre-Cleaner / Front Windshield / Dust Proof Net for Radiator



## ■ FORKLIFT TRUCK FOR THE QUARRY INDUSTRY

This forklift truck has a hinged fork and fixed back rest that can move and carry stone without damage. It provides excellent handling and grip, even in bad road conditions.

- Standard : Panoramic Hinged Fork (fixed back rest)
- Recommended option : Air Intake Pre-Cleaner / Front Windshield / Dust Proof Net for Radiator

## ■ FORKLIFT TRUCK FOR THE MARINE/PORT INDUSTRY

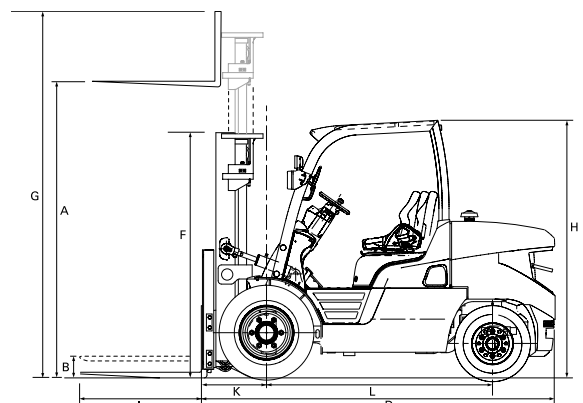
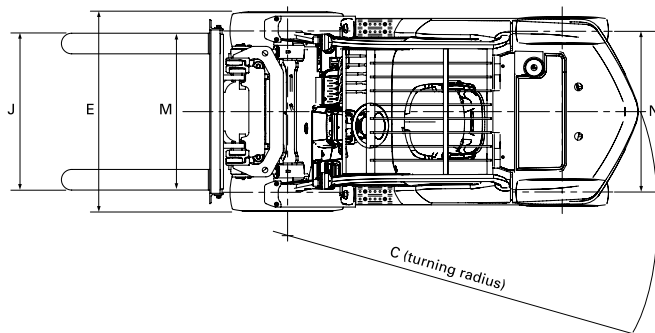
This forklift truck is designed to work in confined spaces such as inside vessels or containers. The three-stage full free mast has a wide front view, and it can be used for high shelves loading — making full use of cargo space.

- Standard : Wide view Three-stage Full Free Mast
- Recommended options : Diesel Particulate Filter / Front Windshield



# Specifications

CHARACTERISTICS									
1	Type of Truck			DIESEL ENGINE TRUCK					
2	Model		FD40N	FD45N					
3	Loading Capacity	kg	3500	4000	4000	4500	4500		
4	Load Center	mm	600	500	600	500	600		
PERFORMANCE									
5	Maximum Fork Height	mm	A	3350					
6	Free Fork Height	mm	B	150					
7	Speeds	Lifting	Loaded	mm/s	550				
			Unloaded	mm/s	610				
	Lowering	Loaded	mm/s						
		Unloaded	mm/s						
8	Tilt	Mast	Forward	deg					
			Backward	deg					
9	Speeds	Travelling	Loaded	km/h	21.5				
			Unloaded	km/h	22.0				
10	Maximum Drawbar Pull	stationary on slope	Loaded	N	37500	36500			
		Drawbar Pull at 1.6km/h	Loaded	N	27000				
11	Maximum Gradeability	stationary on slope	Loaded	%	44.9	42.5	39.4	37.4	35.5
		Gradeability at 1.6km/h	Loaded	%	31.1	29.1	28.0	26.4	25.0
12	Turning Radius		mm	C	2580	2730			
13	Practical Intersecting Aisle Width	Single	with 1220mm forks	mm	2320	2395			
14	Practical Aisle for Right Angle Stacking		with 1220mm forks	mm	4370	4530			
DIMENSIONS									
15	Overall Length to fork Face		mm	D	3000	3130			
16	Width	with Standard Tires	mm	E	1415				
		with Optional Duals	mm						
		with Special Duals	mm						
17	Height	with Lowered Mast	mm	F	2320				
		with Extended Mast (with backrest)	mm	G	4570				
		to top of Overhead Guard	mm	H					
			mm	I	50x150x1220				
18	Forks (Thickness x Width x Length)		mm	J					
19	Forks Spread (Out-to-Out Minimum / Maximum)		mm	K					
20	Front Overhang (Center of Front Axle to Fork Face)		mm	L	1850	577	2000		
21	Wheelbase		mm	M					
22	Tread Width	Front, standard tires	mm	N					
		Front, optional duals	mm						
		Front, special duals	mm						
		Rear tires	mm						
23	Ground Clearance	at Lowest point mast	mm						
		at Center of Wheelbase	mm						
24	Tire Size	Size Front, standard			8.25-15-14PR				
		Size Front, Optional dual							
		Size Front, special dual							
		Rear tires			7.00-12-12PR				
WEIGHT									
25	Machine Weight	Powershift (standard)	kg		5920	6330			
		Powershift (optional dual)	kg		6050	6420			
		Powershift (special dual)	kg		6120	6490			
BRAKE									
26	Service Brake Type								
27	Parking Brake Type								
POWERTRAIN									
28	Engine	Model			S6S				
		Max. Rated Power / rpm to DIN 70020	kW / rpm		57.5 / 2300				
		Max. Rated Torque / rpm to DIN 70020	Nm / rpm		260 / 1700				
		Displacement	cc		4996				
		Fuel Tank Capacity	L		87				
29	Transmission	Type							
		Number of Speed	Forward						
		Backward							
30	Relief of Pressure	For Attachments	Mpa						







*Ready to Perform  
To Your Applications*



[www.mitforklift.com.sg](http://www.mitforklift.com.sg)

Copyright © 2009 by MCFS, All Rights Reserved. All registered trademarks are the property of their respective owners. Printed in Singapore.

FMIT0101-01

(03/10)

PRESENTED BY:

Note: Performance specifications may vary depending on standard manufacturing tolerances, vehicle condition, types of tyres, floor or surface conditions, applications or operating environment. Trucks may be shown with non-standard options. Specific performance requirements and locally available configurations should be discussed with your Mitsubishi forklift truck dealer. Mitsubishi Forklift Trucks follows a policy of continual product improvement. For this reason, some materials, options and specifications could change without notice.